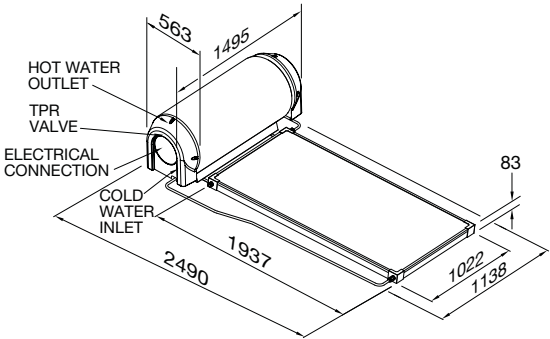




### Features & Benefits

- Complete frost protection
- Space saving design – a complete roof mounted installation
- Stainless steel cylinder
- Booster – choice of electric element or 6-Star continuous flow gas
- Eligible for STCs<sup>5</sup>
- 7 year cylinder warranty<sup>1</sup> with SPA2000, NPT200 collector\*
- 10 year cylinder warranty<sup>1</sup> with L, CSA2007 collector\*



\* Models with NPT200, L, CSA2007 collectors available through Rheem Solar Specialists only

MODEL	52H180
Storage Capacity (L)	180
Solar Collectors	1 SPA2000, NPT200, L, CSA2007
Booster Type	Electric or Gas
Weight Empty (kg) - Tank	52
Hot Water Connection	DN15 Compression
Cold Water Connection	DN15 Compression



Scan code for details & installation instructions

