

Rheem Premier® Hiline 52H

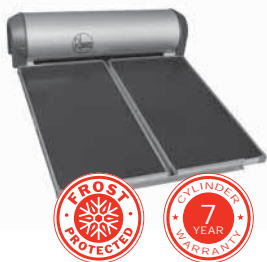
52H300

2 - 5

PEOPLE

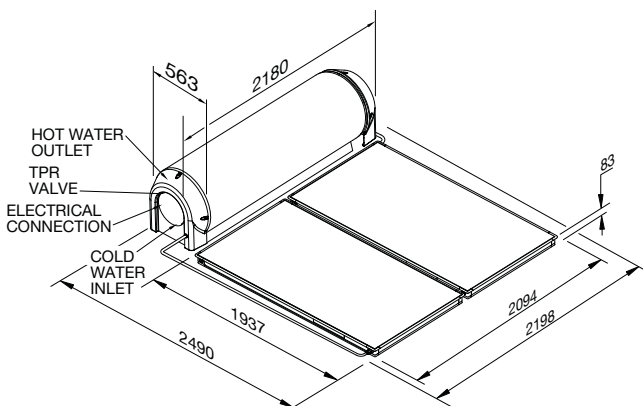
Outdoor

INSTALLATION



Features & Benefits

- Complete frost protection
- Space saving design – a complete roof mounted installation
- Stainless steel cylinder
- Booster – choice of electric element or 6-Star continuous flow gas
- Eligible for STCs⁵
- 7 year cylinder warranty¹ with SPA2000, NPT200 collectors*
- 10 year cylinder warranty¹ with L, CSA2007 collectors*



* Models with NPT200, L, CSA2007 collectors available through Rheem Solar Specialists only

MODEL	52H300
Storage Capacity (L)	300
Solar Collectors	2 SPA2000, NPT200, L, CSA2007
Booster Type	Electric or Gas
Weight Empty - (kg) Tank	79
Hot Water Connection	DN15 Compression
Cold Water Connection	DN15 Compression



Scan code for details & installation instructions

