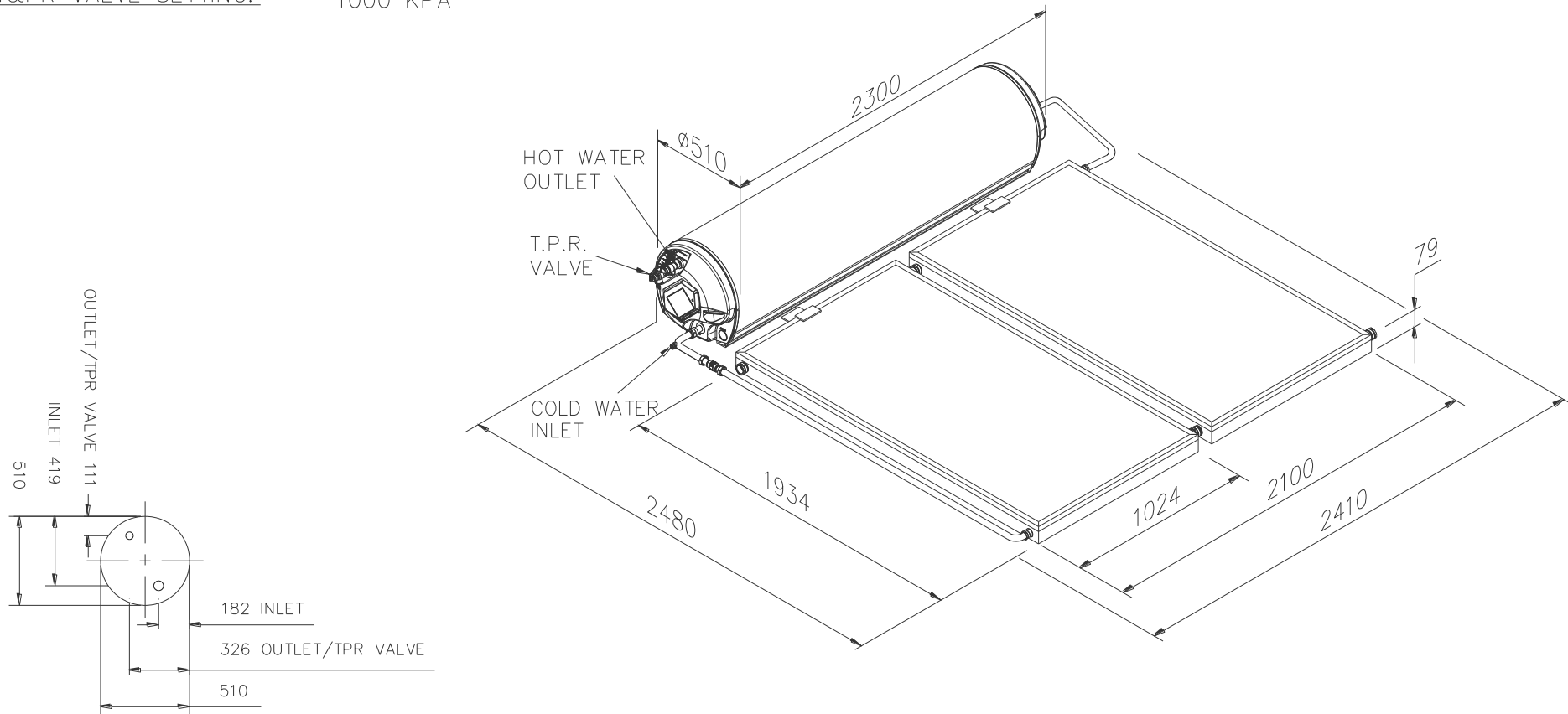


INLET CONNECTION: - RP3/4  
OUTLET CONNECTION: - RP3/4  
T&PR VALVE CONNECTION: - RP1/2  
T&PR VALVE SETTING: - 1000 KPA

300 Litre Hiline



**RHEEM WATER HEATER  
SOLAR HILINE ELECTRIC BOOST 52D300  
WITH NPT200 SOLAR COLLECTORS**

SK7886 08/17 REV-AD (A3)