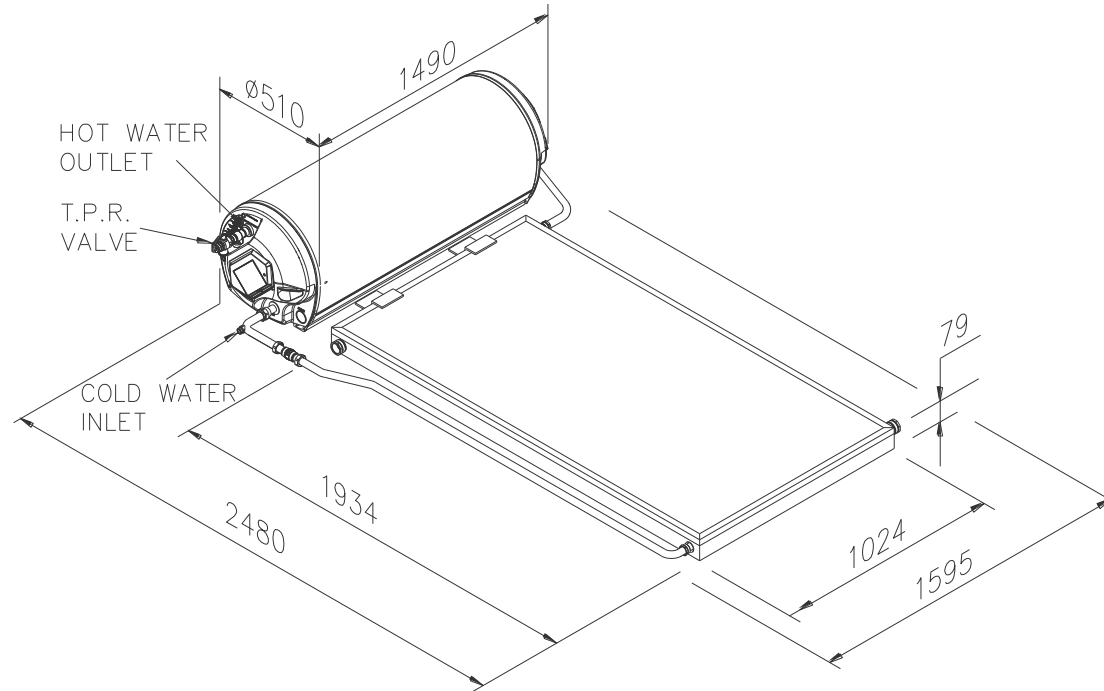
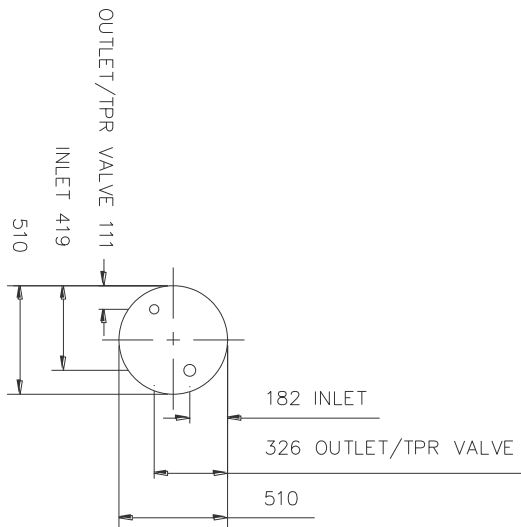
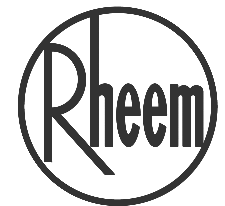


INLET CONNECTION: - RP3/4
 OUTLET CONNECTION: - RP3/4
 T&PR VALVE CONNECTION: - RP1/2
 T&PR VALVE SETTING: - 1000 KPA

180 Litre Hiline



**RHEEM WATER HEATER
 SOLAR HILINE ELECTRIC BOOST 52D180
 WITH NPT200 SOLAR COLLECTOR**



SK7885 08/17 REV-AD (A3)