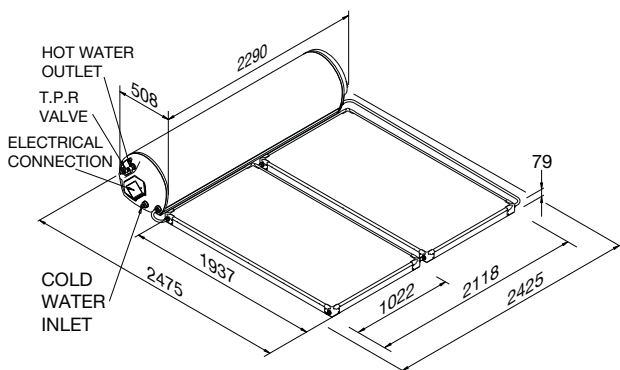


### Features & Benefits



- Complete frost protection
- Energy efficient
- Booster – choice of electric element or 6-Star continuous flow gas
- Suitable for a range of water supplies
- Eligible for STCs<sup>5</sup>
- 5 year cylinder warranty<sup>1</sup>



MODEL	52C300
Storage Capacity (L)	300
Solar Collectors	2 NPT200
Booster Type	Electric or Gas
Weight Empty - (kg) Tank	108
Hot Water Connection	DN15 Compression
Cold Water Connection	R <sup>3</sup> / <sub>4</sub>



Scan code for details & installation instructions

