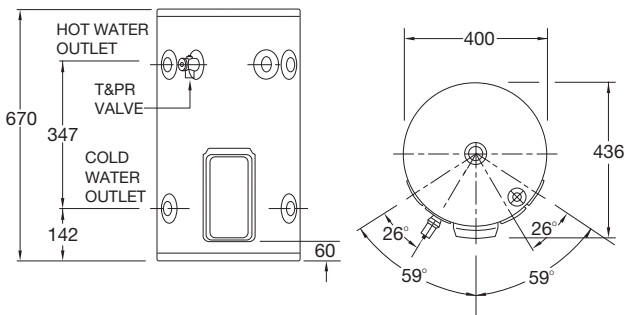


Features & Benefits

- The most compact available in the over-40L capacity range
- Small Diameter – 400mm
- Just 670mm HIGH (including anode cap)
- 47L delivery*
- Available in 3.6kW rating only
- Recessed plug fittings
- Dual handed – easier to install
- 7 year cylinder warranty¹



*Rated Hot Water Delivery (L) is 40L in accordance with AS/NZS4692.1. Actual delivery is 47L when tested to AS/NZS4692.1.

MODEL	191045
Hot Water Delivery (L)	47
kW Rating	3.6
Relief Valve Pressure (kPa)	1400
Expansion Control Valve (kPa)	1200
Max Water Supply Pressure:	
with ECV (kPa)	960
without ECV (kPa)	1120
Water Connections	Rp ³ / ₄
Approx. Weight (packaged) kg	25



Scan code for details & installation instructions

